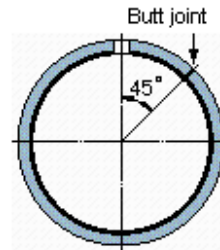
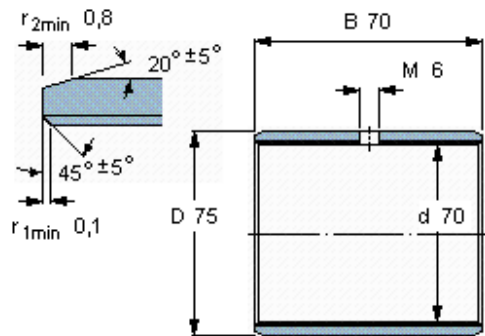


Composite dry sliding bushings, metric dimensions

Principal dimensions			Basic load ratings		Mass	Designation
d	D	B	dynamic C	static C0	kg	-
mm			kN			
<b>70</b>	75	70	585	1220	0,28	PCM 707570 M



**Specific load factor** K 120  
**Material constant**  $K_M$  1900